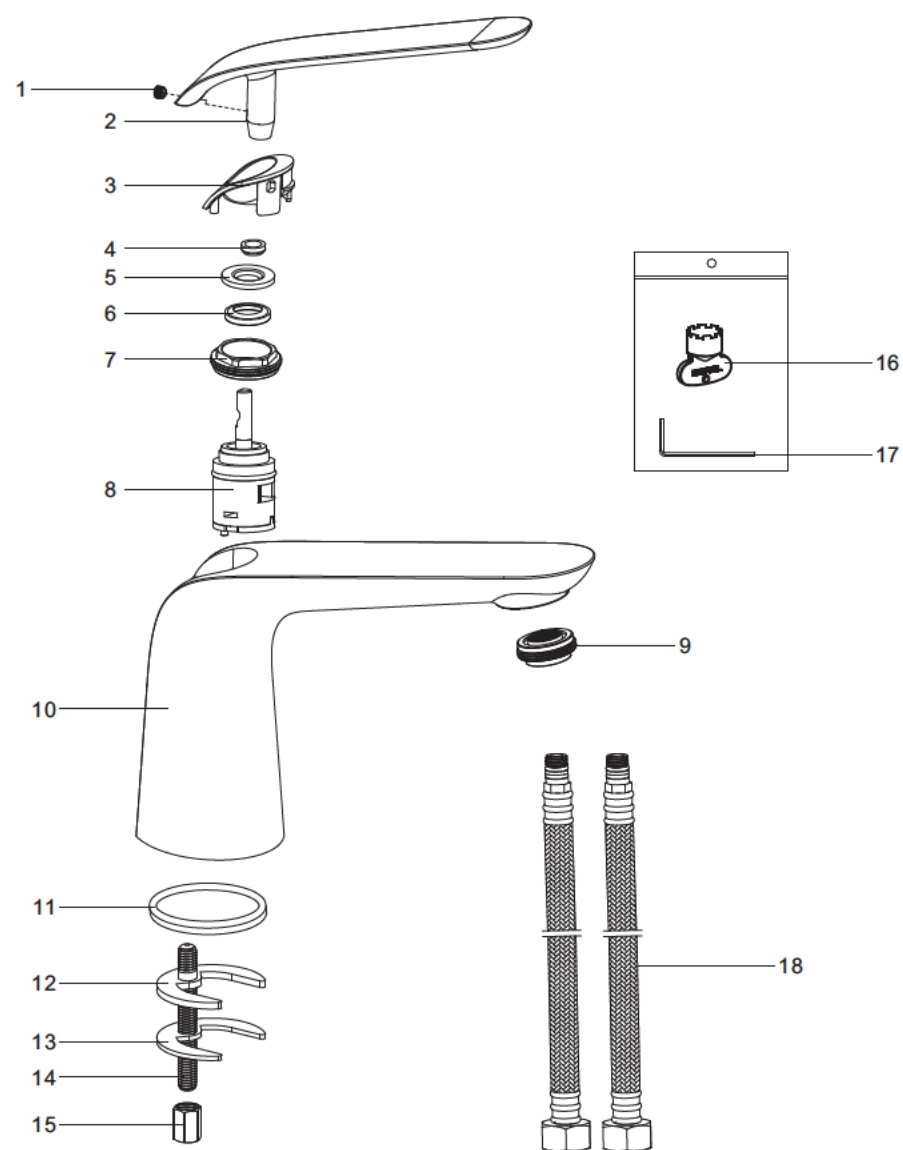


Step 3 Cleaning and care

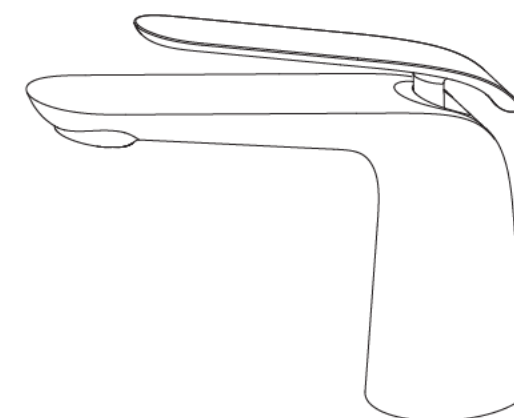
Daily cleaning and care are required in order to keep the product shining and properly working.

- 1 Clean it with water and dry it with soft cloth.
- 2 Clean the product with gentle liquid or glass cleaner.
- 3 Don't use acid cleaner.
- 4 Don't clean with abrasive material, abrasive paper or knife.

Step 4 Parts list



NO.	PART NAME
1	Screw
2	Handle
3	Trim cap
4	Washer
5	Flange
6	Washer
7	Cartridge lock nut
8	Cartridge
9	Aerator
10	Body
11	O ring
12	Rubber washer
13	Clamp
14	Screw
15	Lock nut
16	Aerator wrench
17	Allen key
18	Flexible hose

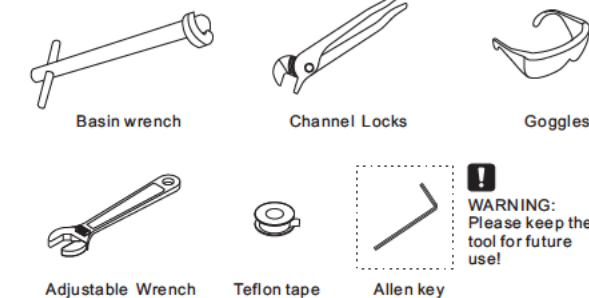


SINGLE HANDLE LAVATORY FAUCET



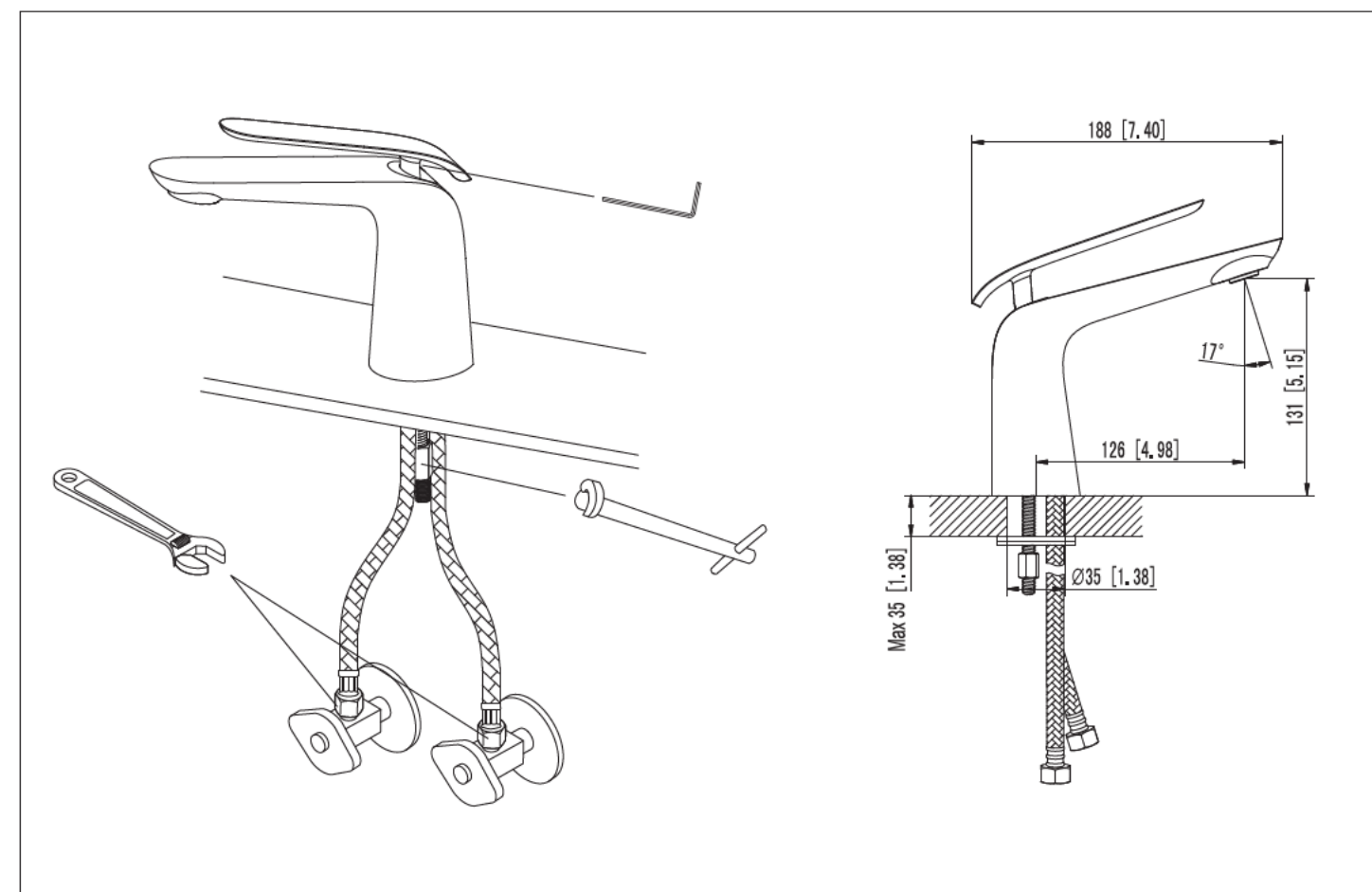
ASME A112.18.1/CSAB125.1

RECOMMENDED TOOLS



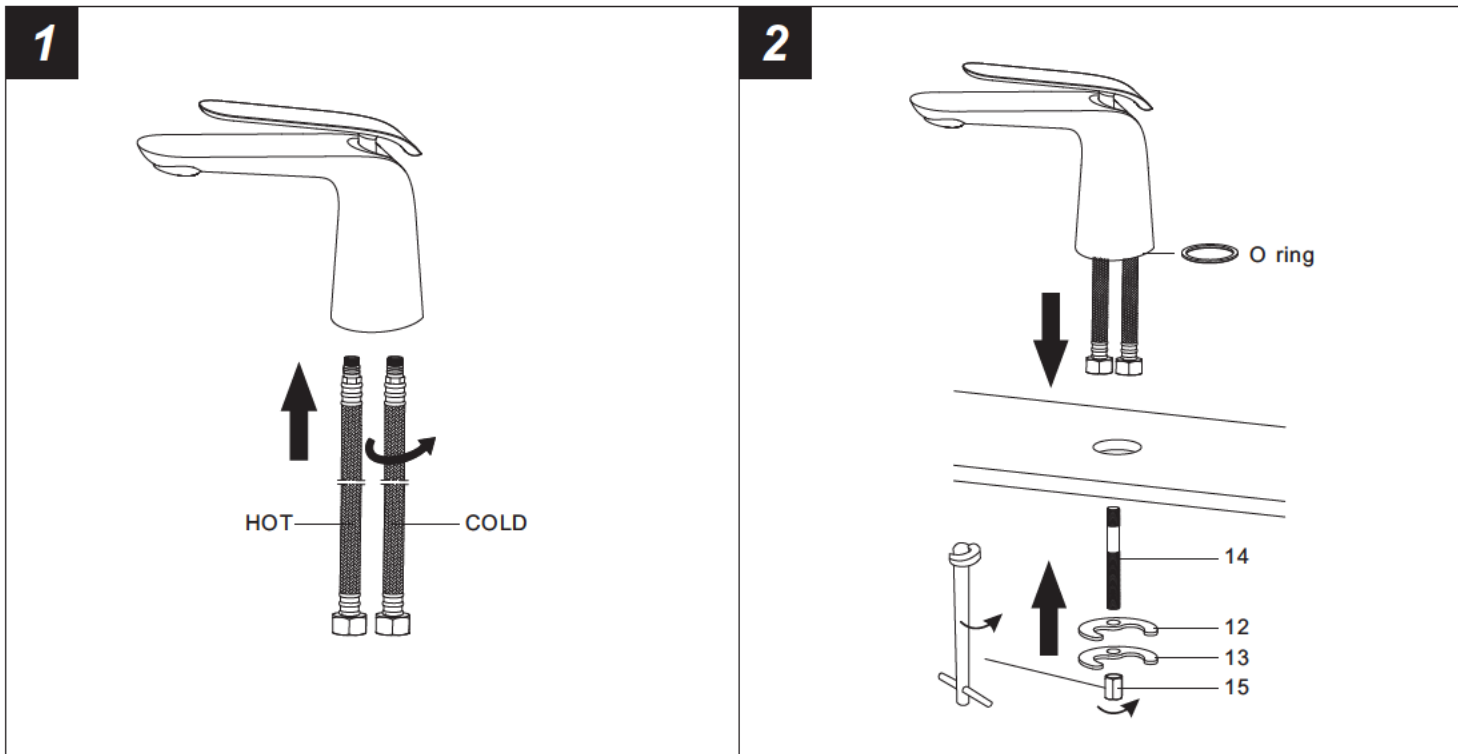
Attention:
for easy installation, you will need:
1. To read all the installation instruction completely before beginning.
2. To read all the warning, attention and maintenance information.
3. To purchase the proper supply lines.

The tools might be applied to the following places:

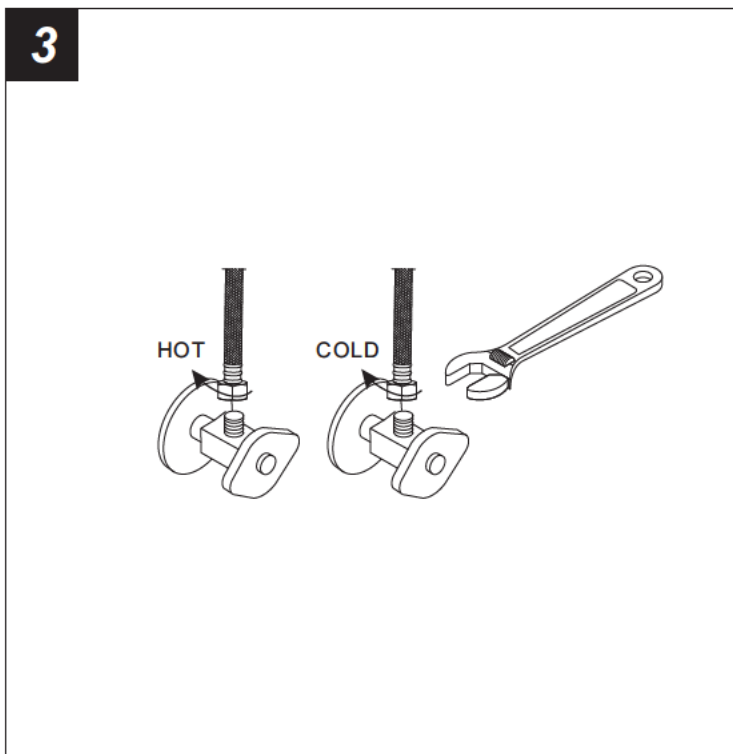


Step 1 Faucet installation

Faucet installation



1. Assemble the 2 flexible hose to the faucet by hand.
2. Put the faucet into the installation hole of the basin. Make sure o-ring be on the base of faucet. Assemble screw #14 to the base of faucet, and assemble rubber washer #12 and clamp #13 to screw #14. Then assemble lock nut #15 by basin wrench to screw #14 to fix the faucet.



3. Connect the flexible hose to water supply valve (not included), and tighten it with adjustable wrench.

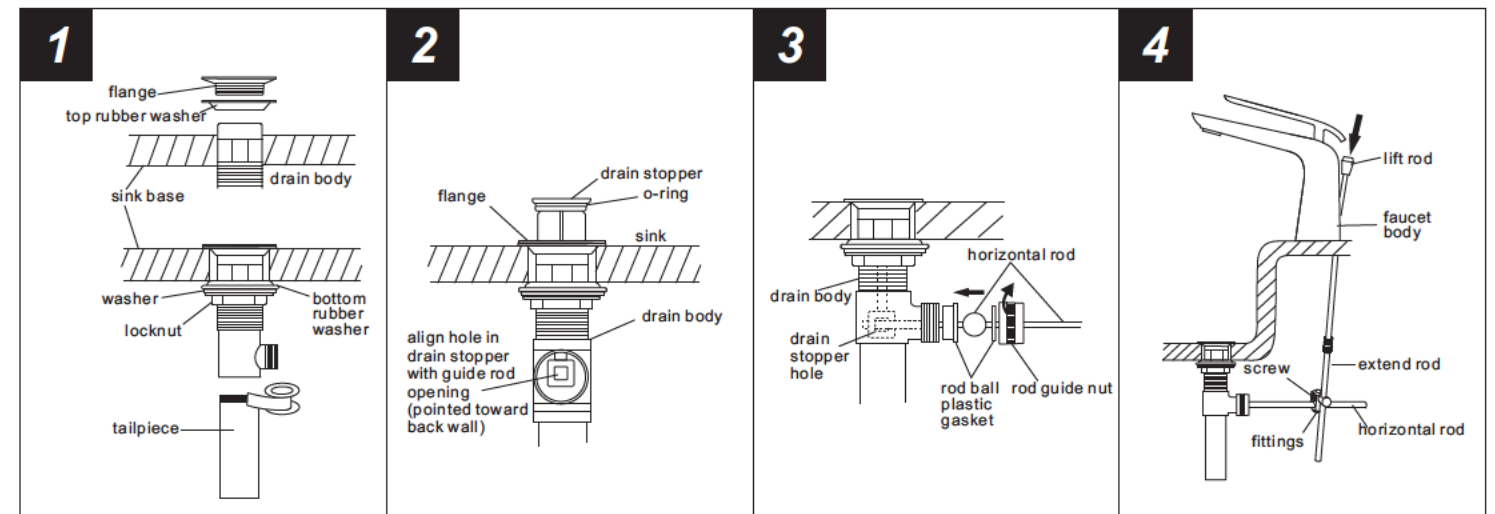
DON'T OVER TIGHTEN!

Caution: make sure connect the hot and cold flexible hoses to supply valves correctly.

Warning:

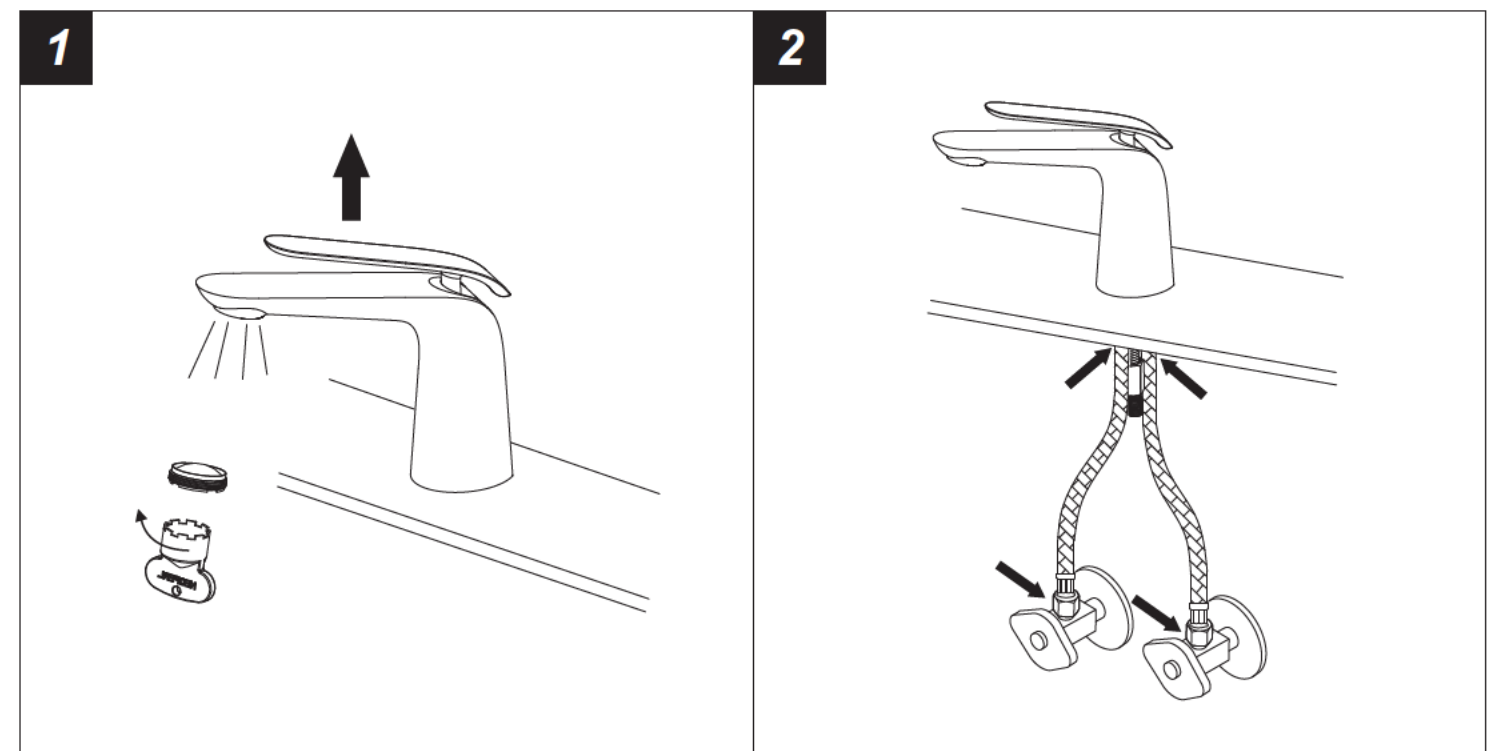
The supply valves are not included, please purchase them in plumb shop.

Pop-up installation



1. Remove pop-up drain stopper, and flange with top rubber washer for pop-up assembly. Insert drain body from underneath of sink drain hole. Replace flange and top rubber washer back to drain body. Tighten flange as far as possible. Remove and put silicone along bottom of. (Optional) Slide bottom rubber washer on drain body up against bottom of sink. Tighten washer and locknut firmly against base for tight seal. Remove tailpiece from drain body, add Teflon tape, replace tailpiece.
2. Replace pop-up drain stopper to drain body with o-ring in place, and align stopper hole with guide rod opening.
3. Remove rod guide nut and rod ball plastic gasket. Insert horizontal rod into drain body and through hole in drain stopper. Replace rod guide nut with rod ball plastic gasket and tighten it.
4. Insert lift rod through hole on faucet body. Connect extend rod to lift rod. Attach horizontal rod to extend rod using fittings, tighten screw.

Step 2 Checking and testing



1. Remove the aerator by aerator wrench. Turn the faucet handle all the way on, turn on hot and cold water supply and flush water lines for one minute. Reinstall aerator by aerator wrench.
2. Check all connections at arrows for leaks, re-tighten it if necessary. **BUT DON'T OVERTIGHTEN!**